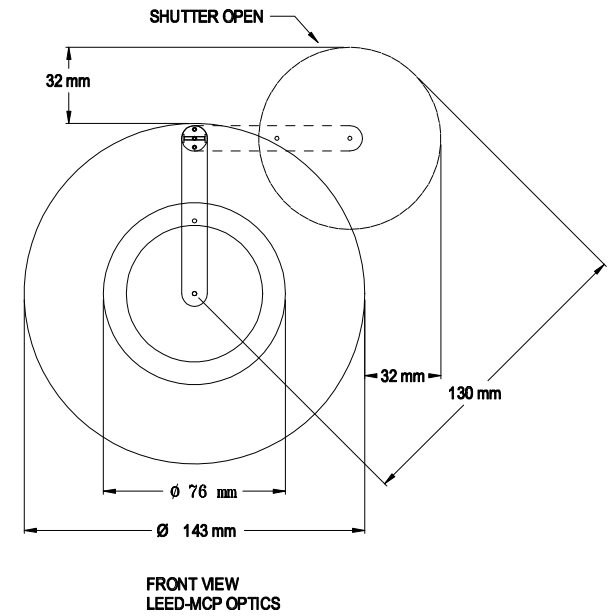
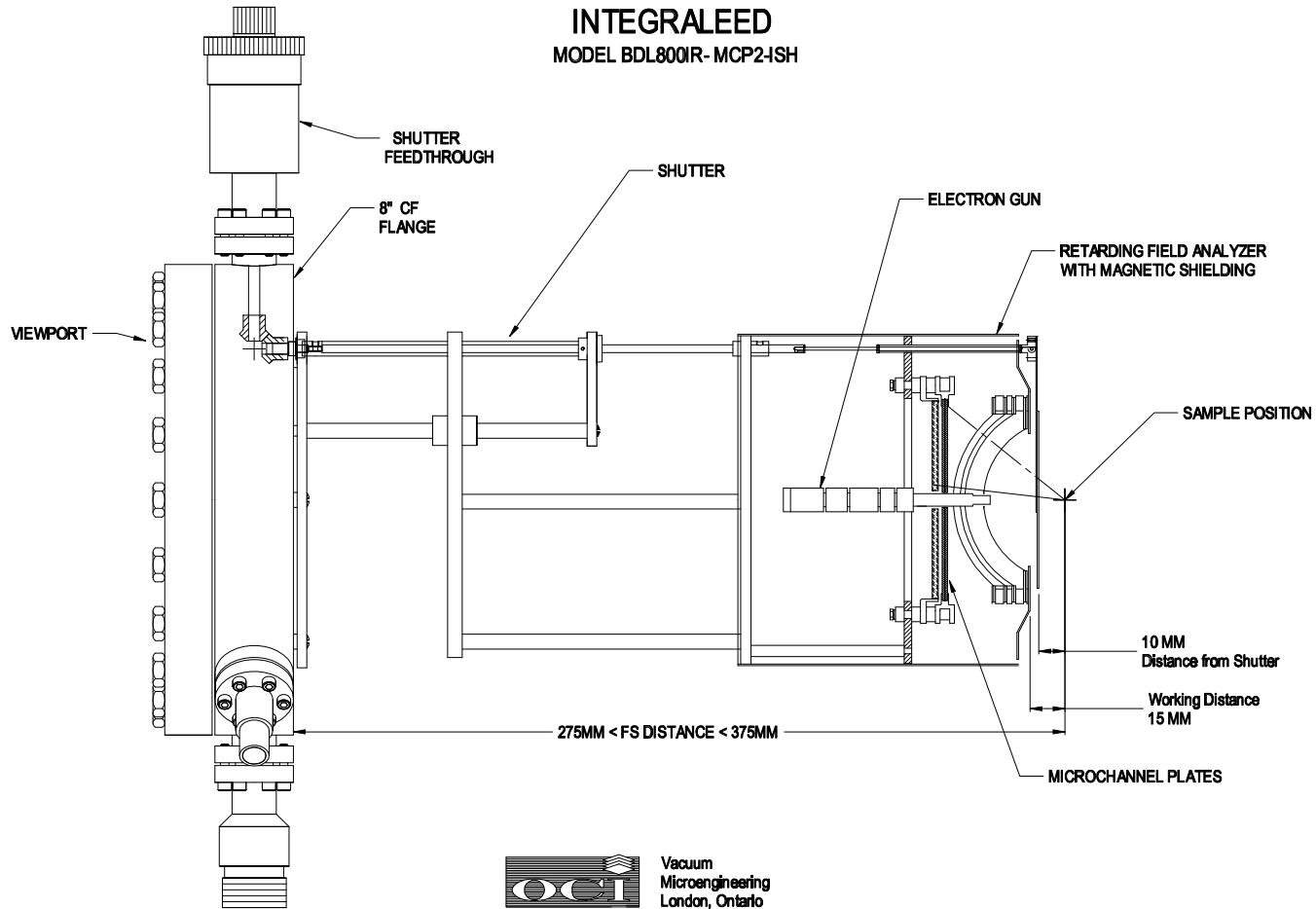


INTEGRALEED
MODEL BDL800IR-MCP2-ISH



Vacuum
 Microengineering
 London, Ontario